

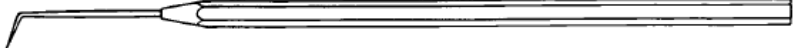
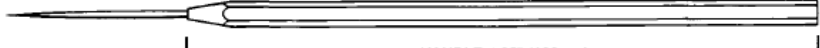
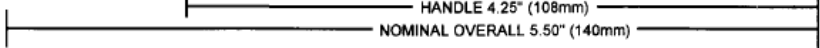



**Item 35630 - KIT OF ALL FOUR PROBERS IN LIGHT BLUE VINYL POUCH WITH INDIVIDUAL POCKETS.**

35623	
35123	
35617	
35122	



HANDLE 4.25" (108mm)  
NOMINAL OVERALL 5.50" (140mm)

Material: 300 Series Stainless Steel  
 Handle: 5/32" (4mm) hex shape to prevent rolling  
 Points: Semi hardened - may be reshaped for special applications as required  
 Item 35122: Straight needle point  
 Item 35123: hook needle point  
 Item 35617: Angle needle point  
 Item 35623: Curved needle point

  
 Made in America

<b>Prober Kit, Stainless Steel</b>			
<h1>MENDA</h1>	3651 WALNUT AVE., CHINO, CA 91710 PHONE: (909) 627-2453 • FAX: (909) 755-8848 WEBSITE: www.mendapump.com	DRAWING NUMBER 35630	DATE: 4/02

© 2002 DESCO INDUSTRIES INC.  
Employee Owned